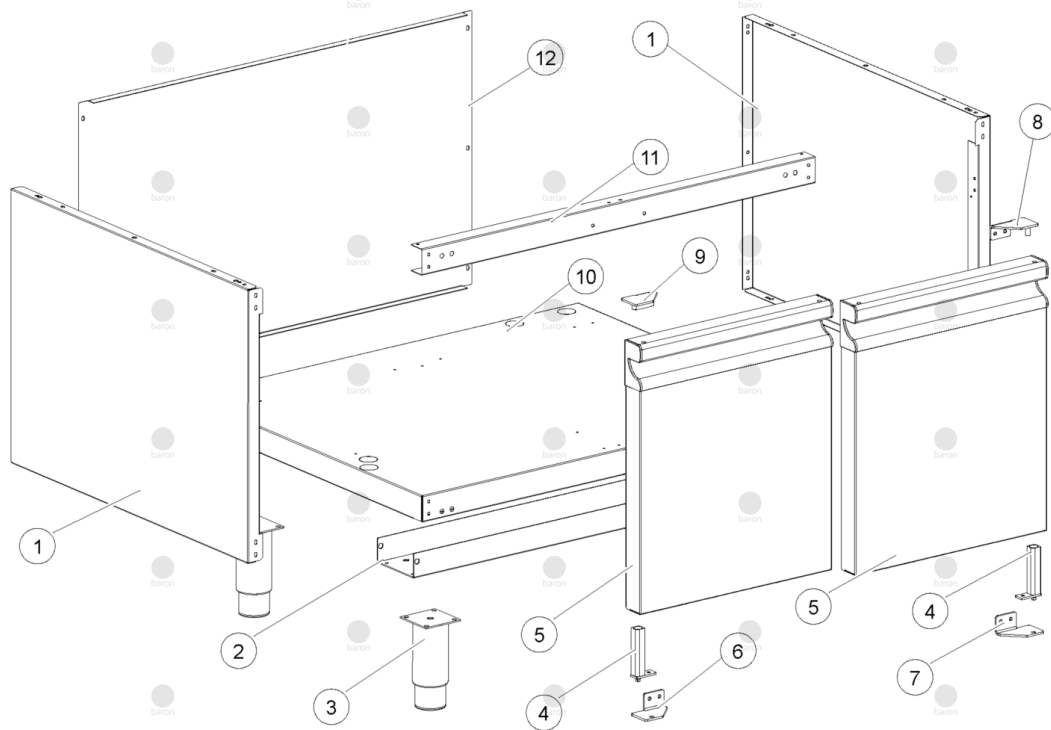


Table_A

EDITION 04 2019

CR1016029 - CR1016039 Q90PC-PCV/IND800

| Pos | Код | Описание |
|------|--------------|---|
| 0001 | BN2540060 | SUPPORT [C] |
| 0002 | MA1036500500 | FOOT [C] |
| 0003 | MA1878400 | TERMINAL BLOCK [C] |
| 0004 | MA20802799 | TERMINAL [C] 6MM |
| 0005 | MA21499099 | GUIDE [C] OMEGA FE/ZN 35X7,5 L. 2M |
| 0006 | CR1020960 | FAIRLEAD [C] |
| 0007 | CR1020970 | CONTRODADO OBO 116/PG21 NY |
| 0008 | CR1225380 | CABLE [C] |
| 0009 | CR1176730 | TUBE [C] FRONT PANEL M80 BARON B18 |
| 0010 | CR1265630 | SPACER [C] |
| 0011 | CR0585560 | SPACER [C] CONTROL PANEL |
| 0012 | CR0798591 | AIR FILTER [C] INDUCTION TOP |
| 0013 | CR0798580 | SUPPORTO FILTRO ARIA INDUZIONE TOP |
| 0014 | CR1315810 | FONDO TOP INDUZIONE 900 M80 BARON B18 |
| 0015 | CR0901830 | RIPIANO TOP GENERATORE QUAD 900 BARON |
| 0016 | CR1090410 | PROTEZIONE POSTERIORE QUAD+ TRAY TC |
| 0017 | CR0737300RIG | 78.99140.103-00 generatore 4x 5kW |
| 0018 | CR0798550 | FERMO POSTERIORE GENERATORE QUAD |
| 0019 | CR0736231 | SUPPORT [C] LATERAL GLASS PLATE INDUCTION TOP 900 |
| 0020 | CR1265750 | ASS.FIANCO SX TOP 900 BARON B18 |
| 0021 | CR0798610 | GUIDA SUPPORTO INDUTTORI TOP |
| 0022 | CR1075260 | SUPPORTO VETRO POST.PIANI INDUZIONE |
| 0023 | CR0736220 | SUPPORT [C] FRONT GLASS PLATE INDUCTION TOP |
| 0024 | CR1314670 | ASS.PIANO VTC/IND 900 M80 BARON B18 |
| 0025 | CR1225390 | ENERGY REGULATOR [C] |
| 0026 | CR1225370 | L-KNOB CABLE [C] |
| 0027 | CR0736200 | CONVOGLIATORE INGRESSO INDUZ. 900 M80 |
| 0028 | CR1314730 | CRUSCOTTO INDUZIONE M80 BARON B18 |
| 0029 | CR1360950R | KNOB [C] D.6 W/SPRING |
| 0030 | CR1176380 | DISCO PLACCA D76.5 REG.ENE.ANT.BARON B18 |
| 0030 | CR1176390 | DISCO PLACCA D76.5 REG.ENE.POS.BARON B18 |
| 0031 | CR1176160 | METAL PLATE [C] KNOB BARON B18 |
| 0032 | CR0587650 | GASKET |
| 0033 | CR1265620 | FLANGE |
| 0034 | CR1265740 | ASS.FIANCO DX TOP 900 BARON B18 |
| 0035 | CR0737310RIG | 78.98201.336-00 piastra induttori 2x 5kW |
| 0036 | CR1225840 | SCHIENALE TOP M80 304 |
| 0037 | CR0736251 | GLASS CERAMIC PLATE [C] |
| 0038 | CR1315840 | CHIUSURA INTERNA CAMINO M80 B18 |
| 0039 | CR1314430 | PROTECTION GRID CHIMNEY [C] M40 BARON B18 |
| 0040 | CR1176580 | PROTECTION GRID [C] SMOKE DRAIN |
| 0041 | CR1020000 | PROT. POST. GENER. IND. M80 70 BARON |
| 0042 | CR0587640 | FRONT PANEL GASKET PROFILE [C] |
| 0043 | BN6A098350 | SYLICON OTTOSIL S56 310ml 7056404 |
| 025a | CR1225360 | L-KNOB CABLE [C] |



| Pos | Код | Описание |
|------|-----------|---|
| 0001 | CR0901800 | CONTROL PANEL [C] |
| 0002 | CR0584660 | TRANSOM [C] |
| 0003 | MA6086113 | FOOT ASSEMBLY [C] H. 200 |
| 0004 | BN1412052 | LOWER HINGE [R] |
| 0005 | CR1177380 | PORTA MONTATA 40-80 DIAMAN.70-90/10 LOGO |
| 0006 | CR1024550 | HINGE LOWER LH SELFCLOSING DOOR 1100 |
| 0007 | CR1024540 | HINGE LOWER RH SELFCLOSING DOOR 1100 |
| 0008 | CR1024560 | HINGE [R] UPPER RH DOOR 1100 |
| 0009 | CR1024570 | HINGE [R] UPPER LH DOOR 1100 |
| 0010 | CR0901630 | SHELF [C] LOWER COMPARTMENT 900 M80 BARON |
| 0011 | CR0901640 | TRANSOM [C] BASE COMPARTMENT M80 BARON |
| 0012 | CR1225940 | BACK PANEL [C] COMPARTMENT M80 |